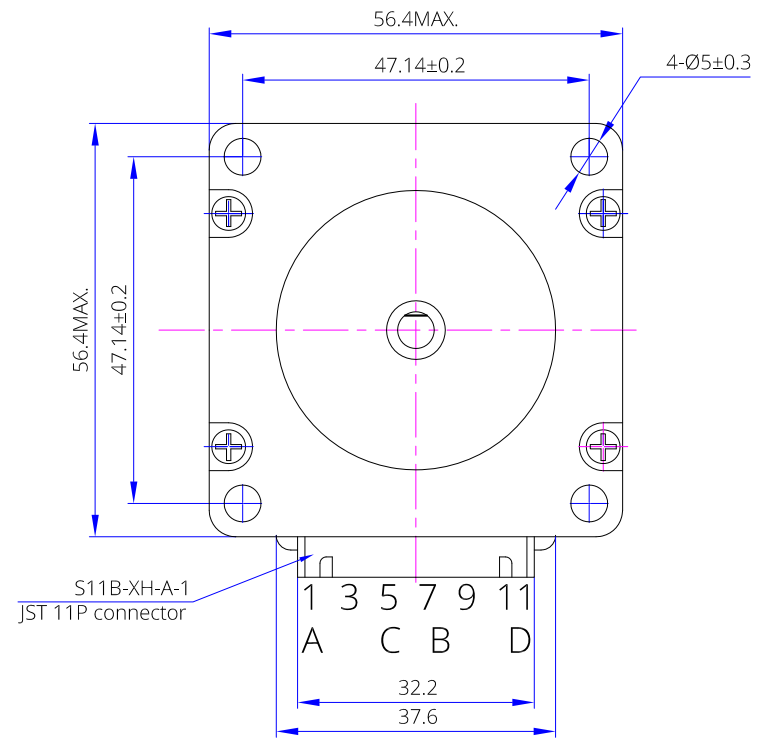
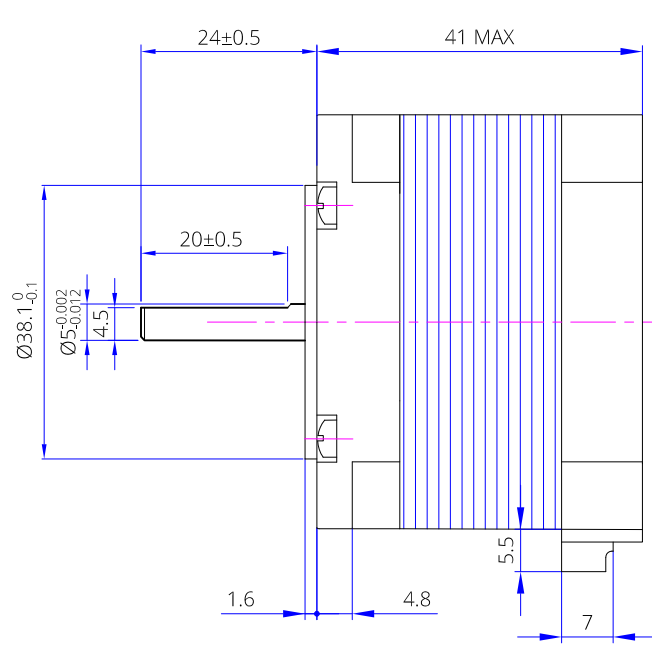
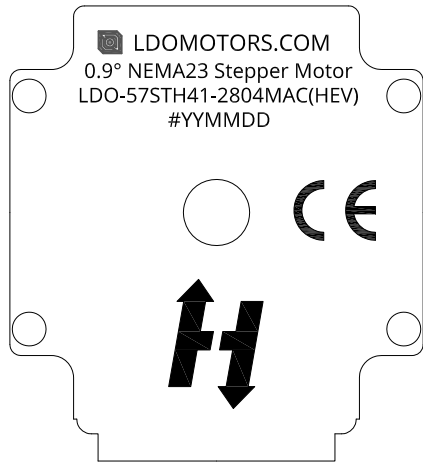
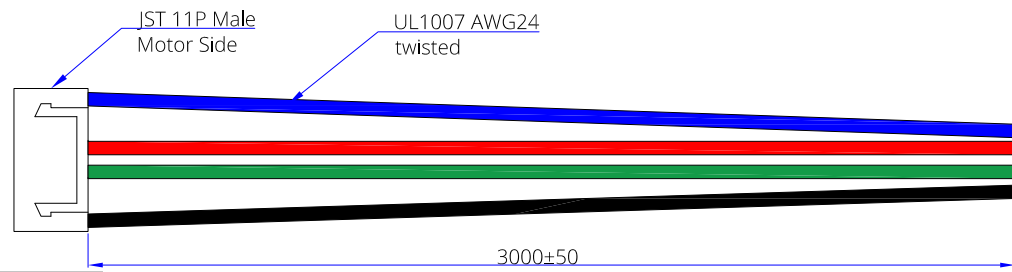
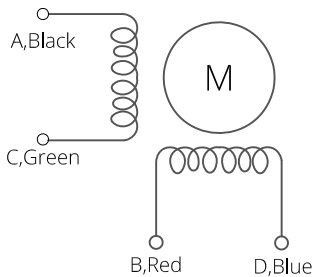


Label by laser engraving.



DIAGRAM



Items	Specification	Items	Specification
Phase Number	2	Step Angle	0.9° ± 5%
Rated Voltage	DC 1.96V / Phase	Rated Current	DC 2.8A / Phase
Phase Resistance	0.7x(1±15%) Ω	Phase Inductance	1.4x(1±20%) mH
Holding Torque	0.6N-m (6.0Kg-f-cm)	Detent Torque	25 mN-m REF.
Rotation Direction	A-AB-B CW	Insulation Resistance	100Mohm(DC500V)
HI-POT	AC600V/1mA/1S	Insulation Class	Class B 130°C
Rotor Inertia	120 g-cm ²	Weight	0.42 Kg REF

A		NEW RELEASE		Xu SD	J.B.	5/6/21
REV.	ECN NO.	DESCRIPTION		MADE BY	APPR. BY	DATE
		VIEW				
		SCALE	NA			
LDO Motors Co., Ltd. Part NO. 0.9° NEMA23 Stepper Motor LDO-57STH41-2804MAC(HEV)						
DRAWN BY	CHECKED BY	APPR. BY	DATE	FACTORY CODE	SHEET NO.	
Xu SD	J.B.	J.B.	5/6/21		1/1	