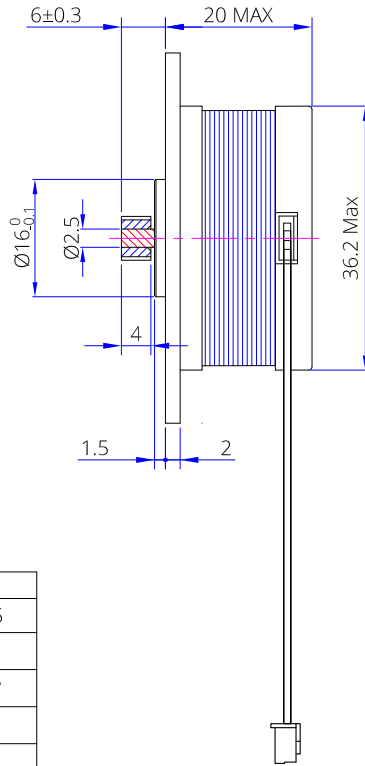
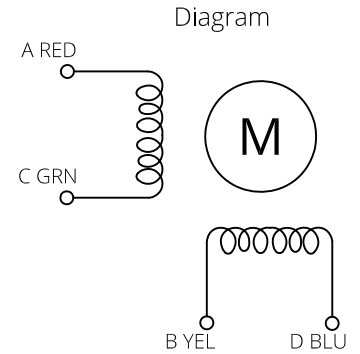
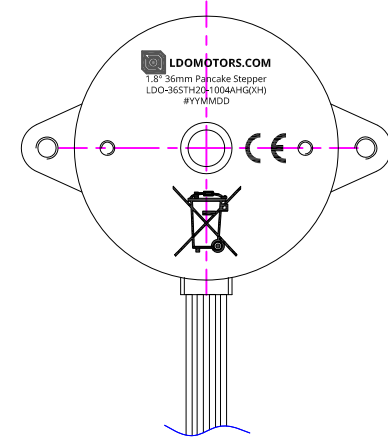
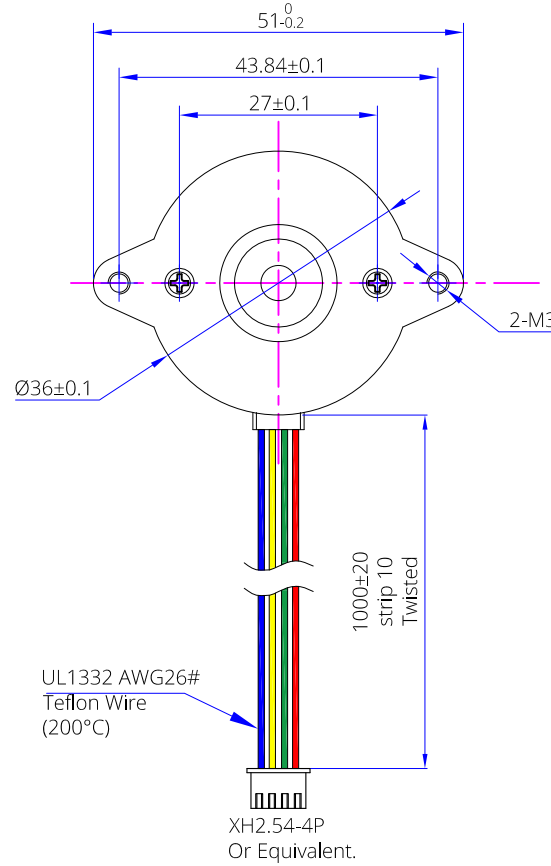


HT Stepper: (180 °C)



Specification for the gear	
MODULE	m=0.5
NO. OF TEETH	z=10
PRESSURE ANGLE	a=20°
PITCH DIA.	d=5
OUTSIDE DIA.	da=6



Item	Specification	Item	Specification
Phase Number	2	Step Angle	1.8° ± 5%
Rated Voltage	DC 2.1V / Phase	Rated Current	DC 1.0A / Phase
Phase Resistance	2.1x(1±10%) Ω	Phase Inductance	1.6x(1±20%) mH
Holding Torque	100mN-m MIN	Detent Torque	5 mN-m REF.
Rotate Direction	ACBDA CW	Insulate Resistance	100Mohm(DC500V)
HI-POT	AC600V/1mA/1S	Insulation Class	Class H 180°C
Rotor Inertia	16 g-cm ² REF	Weight	85 g REF

REV.	ECN NO.	DESCRIPTION	MADE BY	APPR. BY	DATE
A	----	NEW RELEASE	Xu SD	J.B.	3/10/21

	VIEW		LDO Motors Co., Ltd.		
	SCALE		NA	Part No. 1.8° 36mm Round Pancake Stepper LDO-36STH20-1004AHG(XH)	
DRAWN BY	CHECKED BY	APPR. BY	DATE	FACTORY CODE	SHEET NO.
Xu SD	J.B.	J.B.	11/30/20		1/1